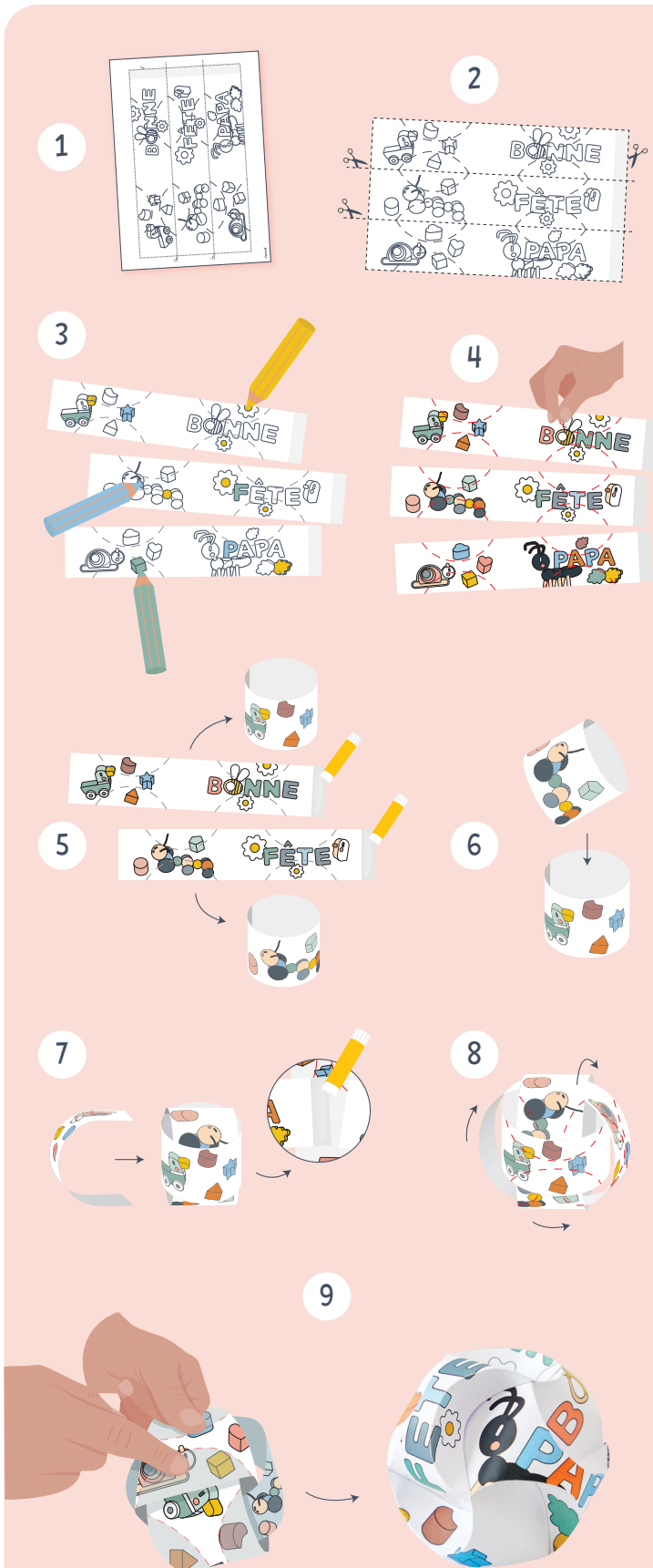
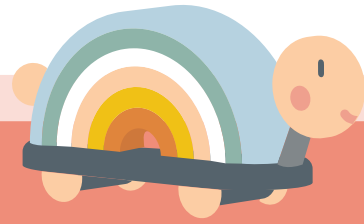




# Create your Father's Day paper ball

With **Janod**



## Step 1

Ask an adult to print the sheet

## Step 2

Cut out the three strips of paper

## Step 3

Colour in the drawings

## Step 4

Ask an adult to score the circles arcs (dotted lines) with their fingers or the round tip of a chisel

## Step 5

Glue the grey section of a first strip and form a ring  
Repeat with a second strip

## Step 6

Slide one ring into the other

## Step 7

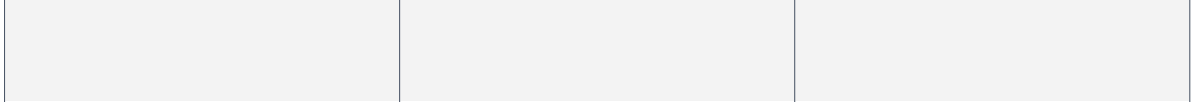
Insert the third strip of paper so as to enclose the rings together and glue it

## Step 8

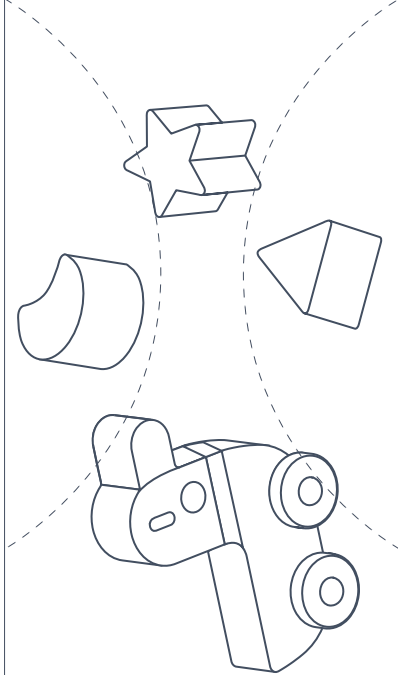
Rotate the rings to fully see all the circle arcs (dotted lines) of the three strips of paper

## Step 9

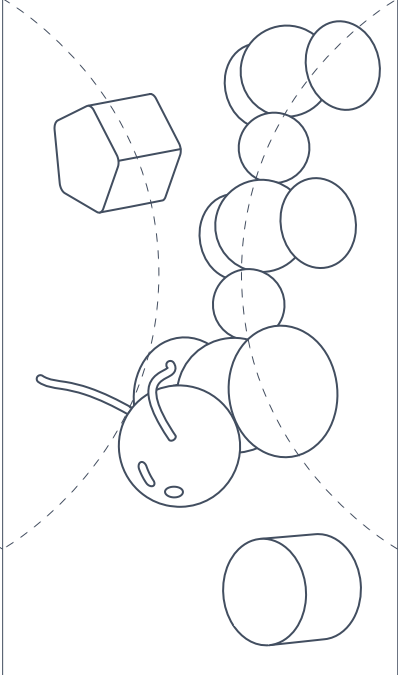
Fold all the circle arcs to form your paper ball!



HAPPY!



FATHER'S



DAY

